



**VICTORY**  
INNOVATIONS CO

## IMPORTANT SAFETY INSTRUCTIONS



## Main Components Diagram



ITEMS INCLUDED	
1	SRAYER
1	TANK
1	16.8 VOLT BATTERY
1	16.8 VOLT CHARGER
1	NOZZLE WRENCH
PRODUCT COMPONENTS	
1.0	TANK
1.1	TANK RELEASE
1.2	PUMP ON /OFF
1.3	ELECTROSTATIC ON/OFF
1.4	GROUNDING STRAP
1.5	QUICK CONNECTIONS
1.6	BATTERY INDICATOR
1.7	NOZZLE WRENCH
1.8	BATTERY
1.9	CHARGER

WARNING

READ AND UNDERSTAND OWNERS MANUAL AND ALL OTHER SAFETY INSTRUCTIONS BEFORE OPERATING THIS MACHINE

**CAUTION:** To avoid electrical shock do not touch or insert any foreign object into nozzle. Review operation manual for disconnecting & replacing sprayer heads.



**CAUTION TO AVOID ELECTRICAL SHOCK**

**DO NOT TOUCH OR INSERT ANYTHING**

**IN THE NOZZLE OF THE SPRAYER**

**WARNING:** This machine contains an electrostatic device that may interfere with sensitive medical devices such as pacemakers, defibrillators, or similar devices. DO NOT operate this machine or stand within 10 feet if you use such medical devices. Contact your physician prior to operation if you are unsure if this machine will interfere with your medical device.

**WARNING:** This product contains chemicals known to the State of California to cause cancer and birth defects or other reproductive harm.

**WARNING:** Always have the machine serviced by a professional, qualified representative. Never attempt to service the machine or access its internal components.

#### **General Safety Rules – For All Battery Operated Sprayers**

**WARNING:** Read and understand all instructions. Failure to follow all instructions listed below may result in electric shock, fire and/or serious personal injury.

#### **SAVE THESE INSTRUCTIONS**

- Keep your work area clean and well lit.
- Do not operate cordless sprayer in explosive atmospheres, such as in the presence of flammable liquids, gases, or dust. Cordless Sprayers create sparks, which may ignite the dust or fumes.
- Keep bystanders, children, and visitors away while operating a cordless sprayer. Distractions can cause you to lose control.

#### **ELECTRICAL SAFETY**

**CAUTION:** To avoid electrical shock do not touch or insert any foreign objects into the nozzle.

- A cordless sprayer with integral batteries or a separate battery pack must be recharged only with the specified charger for the battery. A charger that may be suitable for one type of battery may create a risk of fire when used with another battery.
- Use battery operated sprayer only with the specifically designated battery pack. Use of any other batteries may create a risk of fire.

### **PERSONAL SAFETY**

- Stay alert, watch what you are doing and use common sense when operating a cordless sprayer.
- Do not use cordless sprayer while tired or under the influence of drugs, alcohol, or medication.
- A moment of inattention while operating cordless sprayer may result in serious personal injury.
- Avoid accidental starting. Be sure switch is in the locked or OFF position before inserting battery pack.
- Carrying sprayer with your finger on the switch invites accidents
- Keep proper footing and balance at all times. Proper footing and balance enables better control of the tool in unexpected situations.
- Use safety equipment. Always comply with any requirements for protective clothing, goggles, gloves, facial masks, or respirator required by the formulation label.

### **FORMULATIONS**

- Only use water based formulations with this machine.
- DO NOT USE THIS CORDLESS SPRAYER TO APPLY FLAMMABLE LIQUIDS.
- Do not use oil base liquids.
- Store formulation in its original labeled container.
- Ensure that formulation is applied only in strict compliance with the formulation label as well as local, state, and federal regulations.
- Do not use oil-base or flammable formulations with this machine.

### **TOOL USE AND CARE**

- Do not use a machine that is broken or damaged in any way.
- Do not alter the machine by adding or removing parts.
- Do not restrict the motor air inlet area.
- Do not tamper with the output nozzle.
- Do not allow the machine to operate unattended.
- Do not stand in water or hold over water while operating machine.
- Do not use outdoors when it's raining.
- Do not use cordless sprayer if switch does not turn it on or off. A cordless sprayer that cannot be controlled with the switch is dangerous and must be repaired.
- Disconnect battery pack from cordless sprayer or place the switch in the locked or OFF position before making any adjustments, refilling the tank or storing the cordless sprayer. Such preventative safety measures reduce the risk of starting the cordless sprayer accidentally.
- Store idle cordless sprayer out of reach of children and other untrained persons. Cordless sprayers are dangerous in the hands of untrained users.
- When battery pack is not in use, keep it away from other metal objects like: paper clips, coins, keys, nails, screws, or other small metal objects that can make a connection from one terminal to another. Shorting the battery terminals together may cause sparks, burns, or a fire.
- To clean the sprayer use soap, water and a damp cloth to wipe clean. To clean internal components run water through the sprayer for 3 minutes.

**Important Safety Instructions for Battery Packs**

Your cordless sprayer uses a Victory Innovations, 16.8 volt Lithium Ion battery pack. The battery pack is not fully charged out of the carton. Before using the battery pack and charger, read the safety instructions below. Then follow charging procedures outlined.

**CAUTION:** The battery used in this device may present a risk of fire or chemical burn if mistreated.  
Do not

disassemble, store in extreme heat or cold. Keep battery away from children. Do not disassemble. Do not dispose of in fire or incinerate.

Do not attempt to disassemble the battery or remove any component projecting from the battery terminals. The battery and charger have no user serviceable parts. Fire or injury may result from tampering prior to disposal, protect exposed terminals with heavy insulating tape to prevent shorting.

**DANGER:** Electrocutation hazard. Never attempt to open the battery pack for any reason. If battery pack case is cracked or damaged, do not insert into charger. Electric shock or electrocution may result.

**WARNING:** Fire hazard. Do not store or carry battery so that metal objects can contact exposed battery terminals. For example, do not place battery in aprons, pockets, toolboxes, product kit boxes, drawers, etc., with loose nails, screws, keys, etc.

**CAUTION:** Battery pack must be securely attached to the cordless sprayer. If battery pack is detached, personal injury may result.

- Do not incinerate the battery pack even if it is severely damaged or is completely worn out. The battery pack can explode in a fire.
- Charge the battery packs only with a Victory Innovations charger.
- DO NOT splash or immerse in water or other liquids.
- Do not store or use the tool and battery pack in locations where the temperature may reach or exceed 105°F (40°) (such as outside sheds or metal buildings in summer).
- Damaged battery packs should be recycled.
- Transporting batteries can possibly cause fires if the battery terminals inadvertently come in contact with conductive materials such as keys, coins, hand tools and the like.
- The US Department of Transportation Hazardous Material Regulations (HMR) prohibits transporting batteries in commerce or on airplanes (i.e., packed in suitcases and carry-on luggage) UNLESS they are properly protected from short circuits. When transporting individual batteries, make sure that the battery terminals are protected and well insulated from materials that could contact them and cause a short circuit.

### **Important Safety Instructions for Battery Chargers**

**SAVE THESE INSTRUCTIONS:** This manual contains important safety instructions for battery chargers. Before using charger, read all instructions and cautionary markings on charger, battery pack, and product using battery pack.

**DANGER:** Electrocutation hazard. 120 volts are present at charging terminals. Do not probe with conductive objects.

**WARNING:** Shock hazard. Do not allow any liquid to get inside charger.

**CAUTION:** Burn hazard. To reduce the risk of injury, charge only Victory Innovations rechargeable batteries. Other types of batteries may burst causing personal injury and damage.

**CAUTION:** Under certain conditions, with the charger plugged in to the power supply, the exposed charging contacts inside the charger can be shorted by foreign material. Foreign materials of a conductive nature such as, but not limited to, steel wool, aluminum foil, or any buildup of metallic particles should be kept away from charger cavities. Always unplug the charger from the power supply when there is no battery pack in the cavity. Unplug charger

before attempting to clean.

**DO NOT** attempt to charge the battery pack with any chargers other than the one noted in this manual. The charger and battery pack are specifically designed to work together.

- These chargers are not intended for any uses other than charging Victory Innovations rechargeable batteries. Any other uses may result in risk of fire, electric shock or electrocution.
- Do not expose charger to rain or snow.
- Pull by plug rather than cord when disconnecting charger. This will reduce risk of damage to electric plug and cord.
- Make sure that cord is located so that it will not be stepped on, tripped over, or otherwise subjected to damage or stress.
- Do not use an extension cord unless it is absolutely necessary. Use of improper extension cord could result in risk of fire, electric shock, or electrocution.
- An extension cord must have adequate wire size (AWG or American Wire Gauge) for safety. The smaller the gauge number of the wire, the greater the capacity of the cable, that is 16 gauge has more capacity than 18 gauge. When using more than one extension to make up the total length, be sure each individual extension contains at least the minimum wire size. Recommended Minimum Wire Size for Extension Cords:
 

Total Length of Cord
25 ft., 50 ft., 75 ft., 100 ft., 125 ft., 150 ft., 175 ft.,
7.6 m, 15.2 m, 22.9 m, 30.5 m, 38.1 m, 45.7 m, 53.3 m,
Wire Size AWG
18, 18, 16, 16, 14, 14, 12
- Do not place any object on top of charger or place the charger on a soft surface that might block the ventilation slots and result in excessive internal heat. Place the charger in a position away from any heat source. The charger is ventilated through slots in the top and the bottom of the housing.
- Do not operate charger with damaged cord or plug — have them replaced immediately.
- Do not operate charger if it has received a sharp blow, been dropped, or otherwise damaged in any way.
- Disconnect the charger from the outlet before attempting any cleaning. This will reduce the risk of electric shock. Removing the battery pack will not reduce this risk.
- **NEVER** attempt to connect 2 chargers together. The charger is designed to operate on standard household electrical power (120 Volts) or 240 Volts with the proper country plug.

## OPERATING INSTRUCTIONS

1. To start the use of the victory cordless electrostatic backpack sprayer charge the battery for **two hours** before inserting the Victory 16.8 volt battery into the backpack
2. Plug the charger into a wall outlet until charging light registers on the charger base (Power Level) largest dot indicates fully charged smallest dot indicates low battery





3. When charger indicates battery is fully charged it can be removed from charger
  - a. Insert battery into backpack
  - b. To open battery door turn door knob counterclockwise until the door opens (Reverse) steps to lock
4. Align battery grooves then push battery forward to a locking position (listen for the click)
5. To close door tighten knob clockwise until it can't be turned anymore.

**IMPORTANT:** Door must be closed at all times when the backpack sprayer is being used, failure to close the battery door would cause failure to the battery if the battery gets wet.

**Recommended before filling tank: IMPORTANT**

Unlatch tank lock from backpack by lifting upward and outward from backpack base. Fill tank with solution before inserting tank back into backpack housing.



**To Insert Nozzle**

- Remove the battery from the unit.
- Insert the nozzle into the wrench, lining up the tabs on the nozzle and the slots on the wrench.
- Insert the wrench with nozzle into the front end of the unit.
- Push in and rotate the wrench  $\frac{1}{4}$  turn counter clockwise. When you hear a click the nozzle is in position.
- Remove the wrench when complete.

**To Remove the Nozzle**

- Remove the battery from the unit.
- Insert the nozzle wrench into the front of the unit.
- Rotate wrench until the tabs on the nozzle line up with the slots in the wrench.
- When the tabs and slots are lined up the wrench will be completely inserted into the front end.
- To remove, rotate the wrench in the counter clockwise direction until the nozzle comes loose ( $\frac{1}{4}$  rotation).
- Remove the wrench when complete.



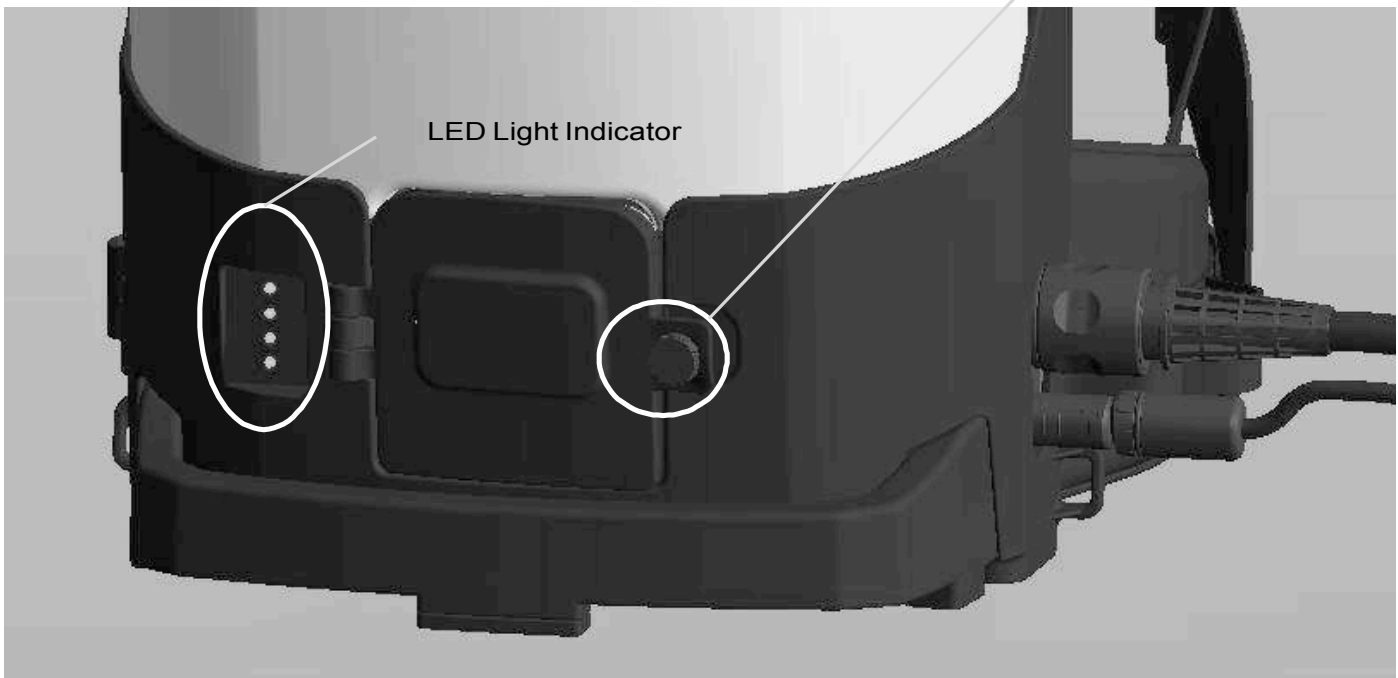


- Slide tool over groove.
- Turn the tool counter- clockwise to lock the nozzle in place with a click feeling.
- Take out the tool and you will find the nozzle is already at top position. You can select anyone of the three nozzles by turning the nozzle clockwise by means of the assembly tool.
- The nozzles to be installed should be at the rightmost upon inserting into the nozzle holder

#### POWER TO BACKPACK: LED LIGHT INDICATOR

- When fully charged there will be four led lights illuminated
- Each light indicates 20% of the battery power remaining
- When the lowest LED turns red, only 20% of the battery power is remaining.
- Backpack comes with 3400mAh battery
- Victory offers a larger capacity battery 6400mAh

**RUN TIMES: 3400mAh (4 Hours)  
6400mAh (8 Hours)**



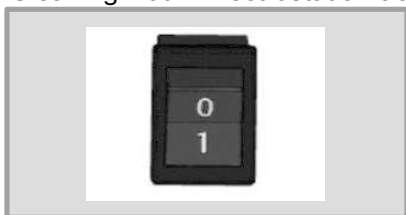
**IMPORTANT : REMOVING ELECTROSTATIC HOSE AND HANDLE FROM BACKPACK**

- Turn power supply switch off (located) on backpack base
- Remove battery from battery compartment (IMPORTANT)
- To remove water line from electric static gun handle, pull back on quick release coupler to remove
- To remove electrical connection push metal spring loaded tab inward until electric line is released

**Backpack Cleaning Procedure:**

- Turn backpack switch off
- Remove Battery from inside battery door
- Remove tank from backpack base
- Add: Clean water to tank by removing tank cap
- Re-install tank into backpack base
- Turn Power ON- Backpack base
- Spray (1 Minute) per each nozzle setting until free of containments
- 3 in 1 nozzle has three different nozzle selections (100 Micron) (80 Micron) (40Micron)
- Rotate nozzle three times for (1 Minute) until clear water is present

Manufacture Recommendation: Use Clean Water When Cleaning Your Electrostatic Backpack Sprayer



Power Switch Backpack



Electrostatic Red Button



Battery Door



Door Lock Knob



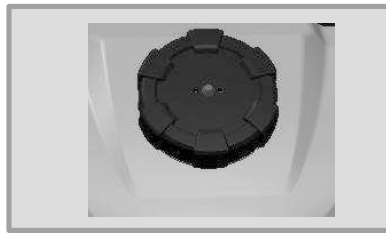
Tank



TankLock



Backpack Tank Screen



Backpack Tank Cap



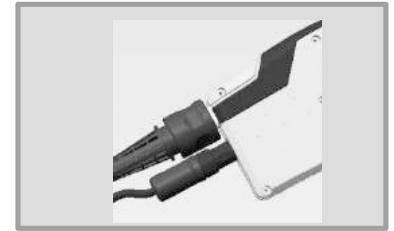
Backpack with Handle



LED Battery Light Indicator



Electrostatic sprayer wand



Quick Release Connectors

### Cleaning Electric static sprayers

- All users must follow safe cleaning practices to protect themselves from harmful exposure when cleaning the sprayer.
- To reduce the chance of blockage, spray a tank of clean water through the unit to rinse out any residual chemical build up after every few days of use. To prevent residual solution build up, it is recommended that user purchase a second tank to wash out cordless electric static sprayers.
- Disconnect storage tank from sprayer when not in use. Use the black threaded cap. Use the locking threaded cap (provided inside caring case) to secure tank and solution.
- Review chemical MSDS sheet how best to secure and store your chemical solution when not in use. Cleaning Nozzle
- If your nozzles become plugged, soak in hot soapy water and blow out with pressurized air to remove blockage.
- Example: dirty nozzle #1 and clean nozzle #2.
- Nozzle #1 has not been properly cleaned after use. When not properly cleaned, the sprayer nozzles residual chemical deposits build up. Deposit build up results in decreased bar pressure and decreased spray patterns.

Dirty Nozzle # 1



Clean Nozzle # 2



### One Year Limited Warranty

**VICTORY** will repair or replace, without charge, any defects due to faulty materials or workmanship for one year from the date of purchase. This warranty does not cover part failure due to normal wear or tool abuse. For further detail of warranty coverage and warranty repair information, email us at [customerservice@victorycomplete.com](mailto:customerservice@victorycomplete.com). This warranty does not apply to damage caused where repairs have been made or attempted by others. This warranty gives you specific legal rights and you

may have other rights, which vary in certain states or provinces.

FREE WARNING LABEL REPLACEMENT: If your warning labels become illegible or are missing, email us at [customerservice@victorycomplete.com](mailto:customerservice@victorycomplete.com) for a free replacement.